

**Scanner control
compact version**

ScannerControlBox

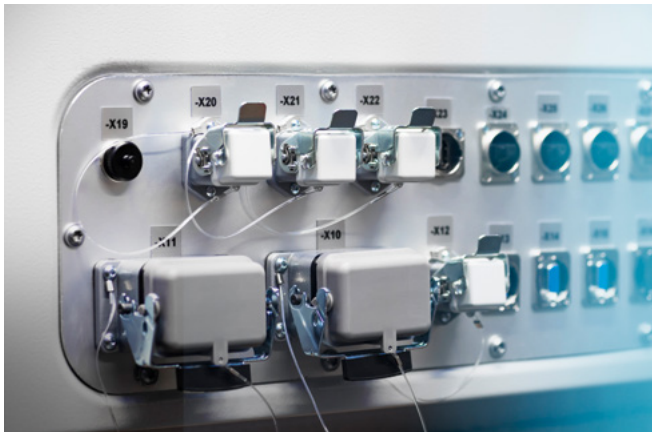
The compact control solution

- Control box for all Blackbird scanners
- Little requirement for space
- Designed for functional wall mounting
- All software options from 2D basic to 3D on-the-fly
- Simple integration thanks to the plug and play concept

An efficient solution in a compact form: the new SCB

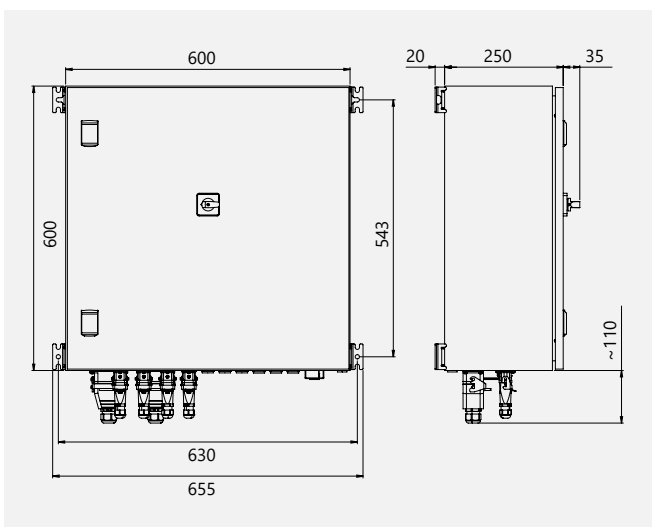
The new ScannerControlBox is compatible with all Blackbird software packages (2D basic, 3D static, 3D on-the-fly) as well as the Blackbird camera solution ScaVis as an additional option.

The SCB's powerful processor enables fast data and program processing for an efficient system performance.



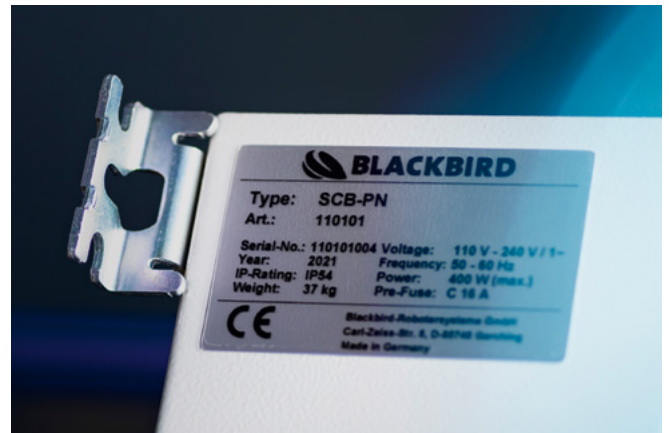
Underside of the SCB

Thanks to its plug and play concept, the control box can be connected and put into operation directly without any further settings or driver installations.



All dimensions in mm

All interfaces are located on the underside of the control box, which enables easy servicing and easy access from the outside. This guarantees quick and easy integration into your system.



Installation-friendly wall bracket

Due to its compact dimensions and low weight, the SCB is ideal for wall mounting. This not only results in considerable space savings at the installation site, but also facilitates that cable routing.

Thanks to its high performance level, the SCB can be used for a wide variety of applications. These range from small part production with high-precision positioning accuracy to meter-long overlap weld seams on large BIW automotive parts.

The integrated RTX capability enables on-the-fly welding with both linear axes and robots and thus promises maximum efficiency.

Product information

Weight	37 kg
Height	600 mm
Width	600 mm
Depth	250 mm
Power supply	110-230 VAC, 14 A
Integrated scanner power supply	30 VDC
Fieldbus	Profinet, Ethernet/IP
Safety interface	PROFISafe, hardwired

